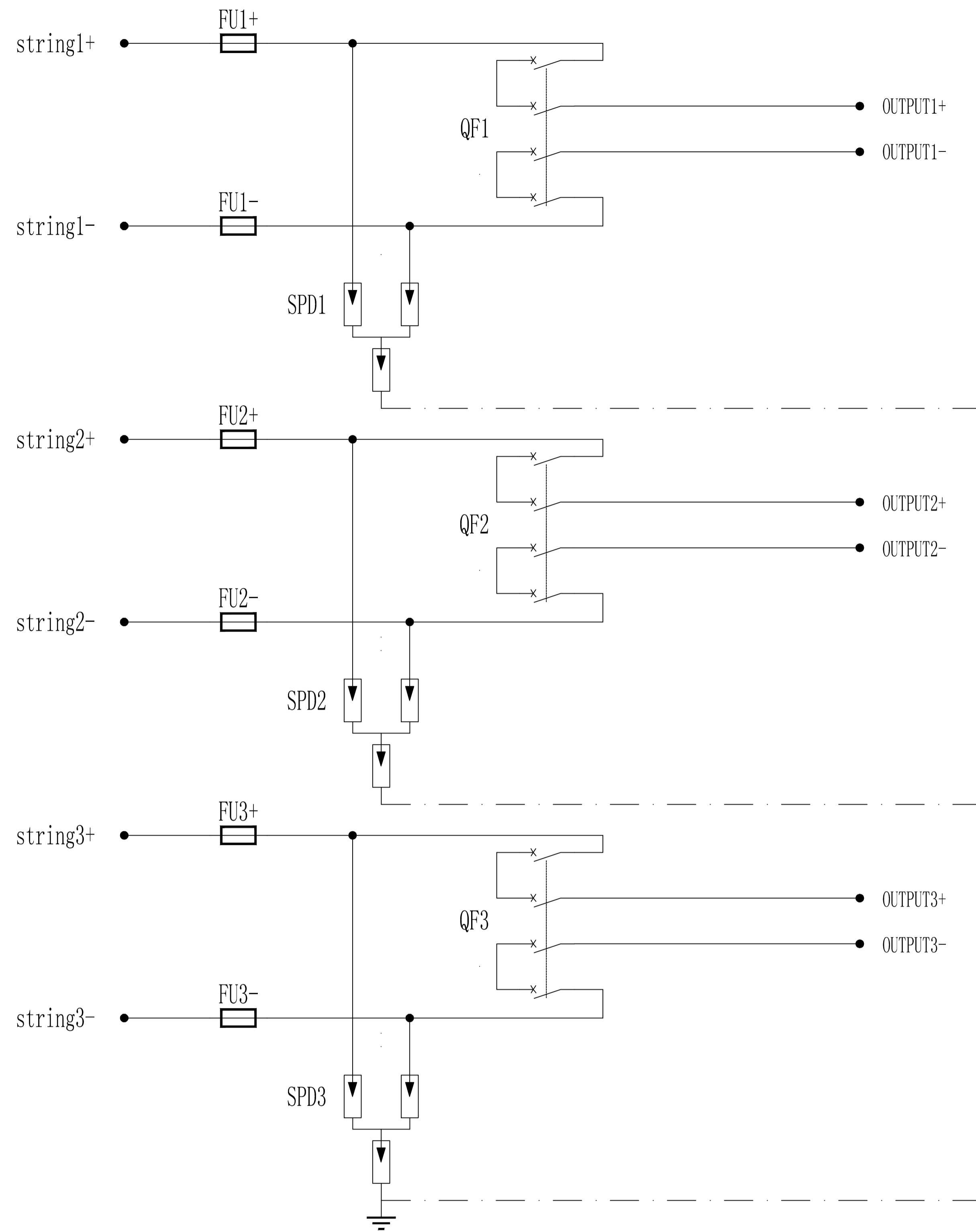


2		CABLE GLAND	PG13.5 SEALING RANGE 6.7-12mm	1	
1		CABLE GLAND	MC4 SEALING RANGE In=32A 2.5-4mm	12	
number	label	The name of the	specifications	quantity	note

The contract no		Tank no		Factory number	
		BHS-3/3 PV COMBINER BOX			
				Pattern marker	
tag	Change the file no	The signature	The date of		
design		standardized			
drawing		Review and approval			
check		approval			
process		The date of			
Arrangement diagram				ZIBENY 浙江奔一新能源科技有限公司	
				Zhejiang Benyi New Energy Technology Co., Ltd.	



4	QF1~QF3	DC Breaker	BB1-63/4P In=16A DC1200V	3	
3	SPD1~SPD3	DC SPD	BUD-40KA/3P DC1000V	3	
2		DC Fuse Link	A73.PV15A DC1000V	6	
1	FU	DC Fuse Holder	BR-30/1P I <sub>max</sub> =30A DC1000V	6	
number	label	The name of the	specifications	quantity	note

The contract no		Tank no		Factory number	
		BHS-3/3 PV COMBINER BOX			
tag	Change the file no	The signature	The date of	Pattern marker	The proportion
design		standardized			
drawing		Review and approval			
check		approval			
process		The date of			
Schematic diagram				ZBENY 浙江奔一新能源科技有限公司	
				Zhejiang Benyi New Energy Technology Co., Ltd.	